



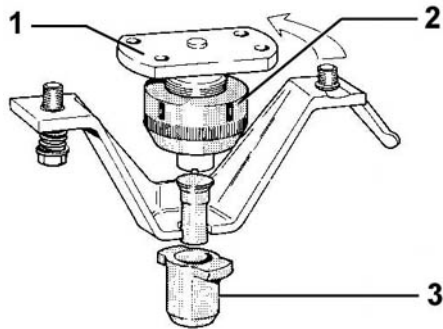
# Peddinghaus

Peddinghaus Anlagen & Maschinen GmbH



## Peddicat

### Dispositivo de cambio rápido de punzonado



**Peddicat No. 1**  
Peddicat 500  
Peddicat 380

**Peddicat 361**

**Peddicat 360**

**Serie verde**

**Serie verde**

**Serie roja**



**No. 2**  
**No. 5**



**No. 2**  
**No. 5**



**No. 1**  
**No. 4**

hasta Ø 32 mm

hasta Ø 32 mm

hasta Ø 27 mm

	Descripción	No. ref.	No. ref.	No. ref.																		
 <b>1</b>	<b>portapunzón</b>	40615 5 6001 00 <table border="1"> <tr><td>A</td><td>B</td><td>C</td></tr> <tr><td>62</td><td>37</td><td>22</td></tr> </table>	A	B	C	62	37	22	40778 5 6001 00 <table border="1"> <tr><td>A</td><td>B</td><td>C</td></tr> <tr><td>62</td><td>37</td><td>22</td></tr> </table>	A	B	C	62	37	22	44001 199 990 <table border="1"> <tr><td>A</td><td>B</td><td>C</td></tr> <tr><td>71</td><td>32</td><td>28</td></tr> </table>	A	B	C	71	32	28
A	B	C																				
62	37	22																				
A	B	C																				
62	37	22																				
A	B	C																				
71	32	28																				
 <b>2</b>	<b>tuerca tensora rápida</b>	44081 198 991 <table border="1"> <tr><td>A</td><td>B</td><td>C</td></tr> <tr><td>45</td><td>85</td><td>52,5</td></tr> </table>	A	B	C	45	85	52,5	44081 198 991 <table border="1"> <tr><td>A</td><td>B</td><td>C</td></tr> <tr><td>45</td><td>85</td><td>52,5</td></tr> </table>	A	B	C	45	85	52,5	44001 198 991 <table border="1"> <tr><td>A</td><td>B</td><td>C</td></tr> <tr><td>38</td><td>70</td><td>45,5</td></tr> </table>	A	B	C	38	70	45,5
A	B	C																				
45	85	52,5																				
A	B	C																				
45	85	52,5																				
A	B	C																				
38	70	45,5																				
 <b>3</b>	<b>tensor rápido</b>	42030 6 2191 02 <table border="1"> <tr><td>A</td><td>B</td><td>C</td></tr> <tr><td>35</td><td>32,2</td><td>52</td></tr> </table>	A	B	C	35	32,2	52	42030 6 2191 02 <table border="1"> <tr><td>A</td><td>B</td><td>C</td></tr> <tr><td>35</td><td>32,2</td><td>52</td></tr> </table>	A	B	C	35	32,2	52	44001 198 992 <table border="1"> <tr><td>A</td><td>B</td><td>C</td></tr> <tr><td>44</td><td>27,1</td><td>45</td></tr> </table>	A	B	C	44	27,1	45
A	B	C																				
35	32,2	52																				
A	B	C																				
35	32,2	52																				
A	B	C																				
44	27,1	45																				



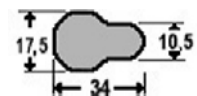
**tensor rápido especial**



**No. 5**

para punzón para cerradura

44081 6 2928 03



**tensor rápido especial**



**No. 4**

de gran tamaño



Ø 28 – 29 – 30 mm

44001 6 3523 01



□ 20 – 21 mm

65004 8087 01



L = 28 – 30 mm

44001 6 3503 03